



Floodgates

The Hume-King floodgate (also known as reflux valve or tidal flap) is an end-of-line, non-return valve which protects a pipeline from tidal inundation, the entry of debris, animals and vermin, and backflow. The floodgates provide a seal on the minimal vertical end of the pipeline, as the mounting pin (located behind the sealing surfaces) creates a moment-arm to hold the gate closed.

Hume-King floodgates benefit pipeline management through:

- high chemical resistance (to organic solvents, acids, alkalis, and salt water) which delivers a non-corrosive, durable pipeline solution
- resistance to sunlight, ensuring they will not warp in service
- manufacture from materials with low salvage value, discouraging theft and vandalism.

Hume-King floodgates are moulded from fibreglass reinforced polyester, with high tensile 316 stainless steel built-in hinges, and replaceable neoprene sealing rings. They are available to suit Humes standard pipe diameters, in a mounting-ring style for smaller diameter pipes, and a bolt-on style for DN1050 to DN1800 pipes.

Humes can develop and manufacture customised floodgates for non-standard applications.

Figure 1 – Mounting ring style floodgate (for pipes up to DN900) - refer to Table 1 below

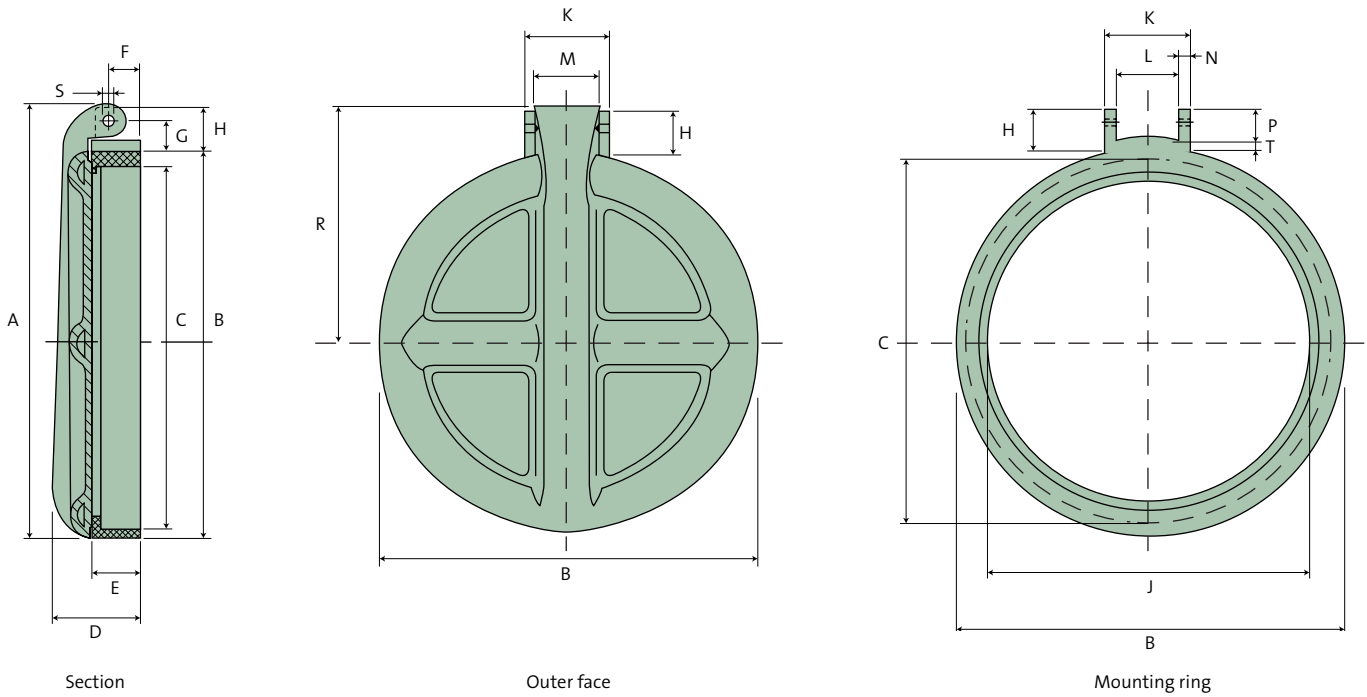


Table 1 – Mounting ring style floodgate details

Nominal pipe dia. (mm)	Mass (kg)	A	B	C	D	E	F	G	H	J	K	L	M	N	P	R	S	T
100	2	192	154	141	64	38	19	21	27	111	44	38	37	3	24	110	8	3
150	3	251	211	198	76	38	19	21	27	159	44	38	37	3	24	140	8	3
225	4	338	298	281	92	51	30	24	30	238	64	57	54	3	27	184	8	3
300	11	457	387	370	133	57	38	38	64	311	102	79	76	11	56	260	16	8
375	16	540	473	451	133	57	38	38	64	387	102	79	76	11	56	302	16	8
450	17	625	562	540	133	59	38	38	64	467	102	79	76	11	56	341	16	8
525	22	714	651	625	133	59	38	38	64	543	102	79	76	11	56	391	16	8
600	30	800	730	705	133	59	41	38	64	619	114	89	86	13	56	438	16	8
675	36	879	816	791	133	59	41	38	64	692	114	89	86	13	56	471	16	8
750	50	968	905	876	133	59	41	38	64	778	114	89	86	13	56	516	16	8
900	65	1,127	1,064	1,035	133	64	41	38	64	921	114	89	86	13	56	595	16	8

Figure 2 – Bolt-on style floodgate (for pipes up to DN1050 - DN1800) - refer to Table 2 below

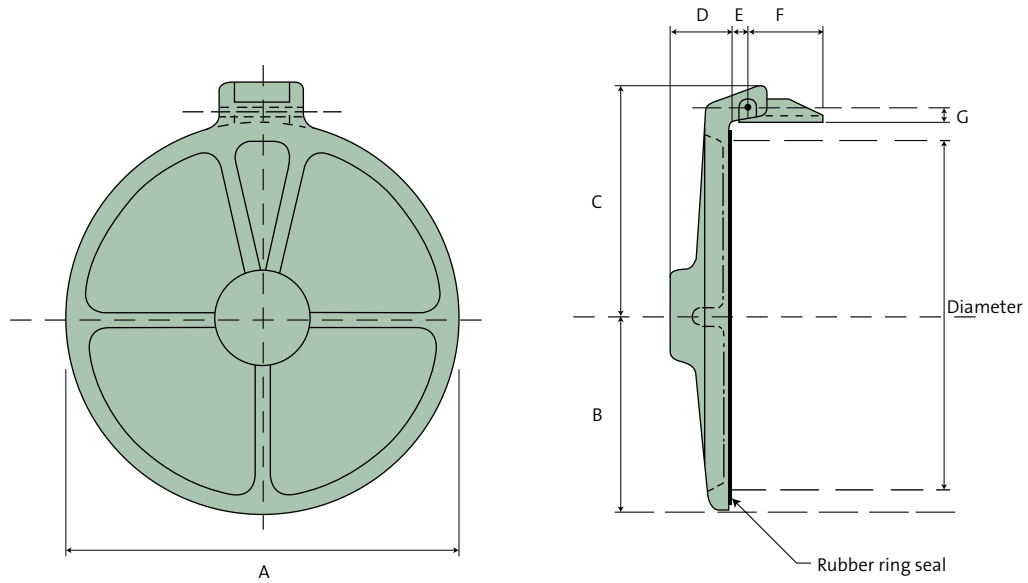


Table 2 – Bolt-on style floodgate details

Nominal pipe dia. (mm)	Mass (kg)	A	B	C	D	E	F	G
1,050	115	1,185	575	730	186	52	254	38
1,200	124	1,365	683	803	222	57	254	38
1,350	160	1,518	759	879	254	57	254	38
1,500	191	1,689	845	1,099	267	83	178	95
1,800	260	2,019	1,010	1,162	279	70	190	83

Note: Check with your local Humes office on availability of floodgates for other pipe diameters and other shapes (e.g box culverts).

Humes
A Division of Holcim Australia

1300 361 601 | humes.com.au